

Model NO.	LCCE-017■142	Model Name	Constant Current Power Supply
Part NO.		SIZE	95mm*40mm*25mm



FEATURES

- ◆ Suitable for Hi-Power LED Lighting Applications.
- ◆ Universal AC Input / Full range
- ◆ DC Output with Constant Current
- ◆ Safety: PSE
- ◆ EMC : CE / FCC
- ◆ Compliant with IP67 (waterproof)
- ◆ MTBF : 100 , 000 hrs / 25°C
- ◆ High Reliability
- ◆ Power Factor : >0.95@115VAC; >0.9@230VAC

Electrical Specifications @25°C

Input	Voltage range	90 ~ 305VAC
	Frequency range	50 / 60Hz
	Efficiency (Typ.)	80 %
	AC current	0.4A (Max.)
	Inrush current	5A / 230VAC cold start
	Leakage current	0.7mA / 264VAC / 50Hz
Function	Protection	Overload / Short-circuit / Over voltage / Over Temp.
Environment	Operating ambient Temp.	-20°C ~ +60°C
	Operating relative Hum.	-20% ~ +90%
	Storage ambient Temp.	-40°C ~ +80°C
	Storage relative Hum.	10% ~ +95%
Others	MTBF	100,000 hrs / 25°C
	Safety & EMC	PSE / EN 55015 / FCC Part15, SubpartB
	RoHS	YES
	Dimension (mm) L*W*H	95 * 40 * 25 mm

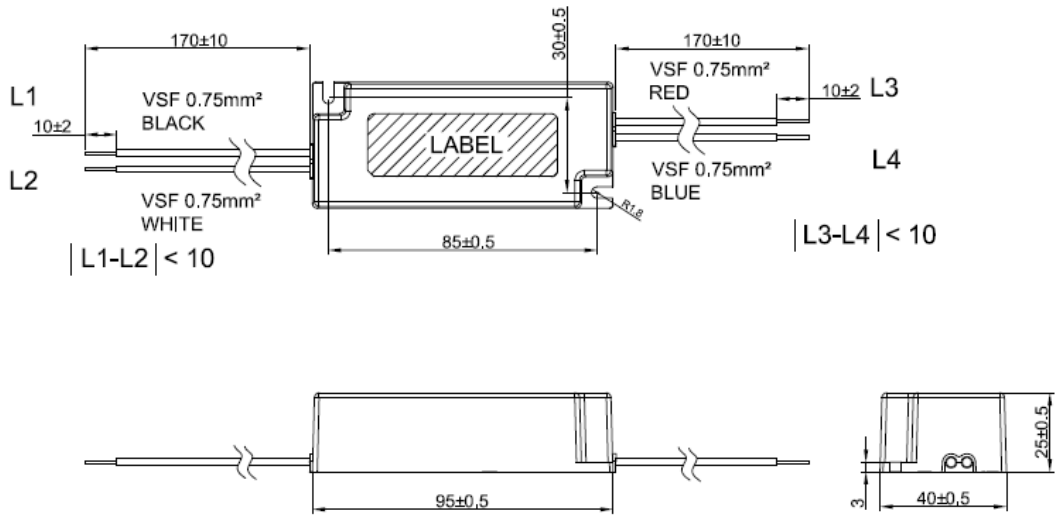
LCCE-017■142

Model No.	DC Output Voltage Range	DC Output Current	Watt	Remark
LCCE-017■142	9 - 12 V	1.35 A ±10%	16.2 W	

*Reference

Model NO.	LCCE-017 ■ 142	Model Name	Constant Current Power Supply
Part NO.		SIZE	95mm*40mm*25mm

DIMENSIONS [mm]



Unit : mm

*Reference