

Model NO.	LCCE-030■112	Model Name	LED POWER SUPPLY
Part NO.		SIZE	134mm*42mm*33.1mm



FEATURES

- ◆ Suitable for Hi-Power LED Lighting Applications.
- ◆ Universal AC Input /Full range
- ◆ DC Output with Constant Current
- ◆ Safety : TUV / CB / PSE
- ◆ EMC :CE
- ◆ Compliant with IP67 (Waterproof)
- ◆ MTBF: 100,000 hrs / 25°C
- ◆ High Reliability
- ◆ Power Factor : >0.95@115VAC / >0.9@230VAC

Electrical Specifications @25°C

Input	Voltage range	90 ~ 305VAC
	Frequency range	50 / 60Hz
	Efficiency (Typ.)	83 %
	AC current	0.4A (Max.)
	Inrush current	10A / 230VAC cold start
	Leakage current	0.7mA / 264VAC / 60Hz
Function	Protection	Overload / Short circuit / Over voltage / Over temp.
Environment	Operating ambient Temp.	-20°C ~+60°C
	Operating relative Hum.	10%~+90%
	Storage ambient Temp.	-40°C ~+80°C
	Storage relative Hum.	10%~+95%
Others	MTBF	100,000 hrs / 25°C
	Safety & EMC	TUV 61374-13 / CB / PSE EN55015
	RoHS	YES
	Dimension (mm) L*W*H	134 * 42 * 33.1mm

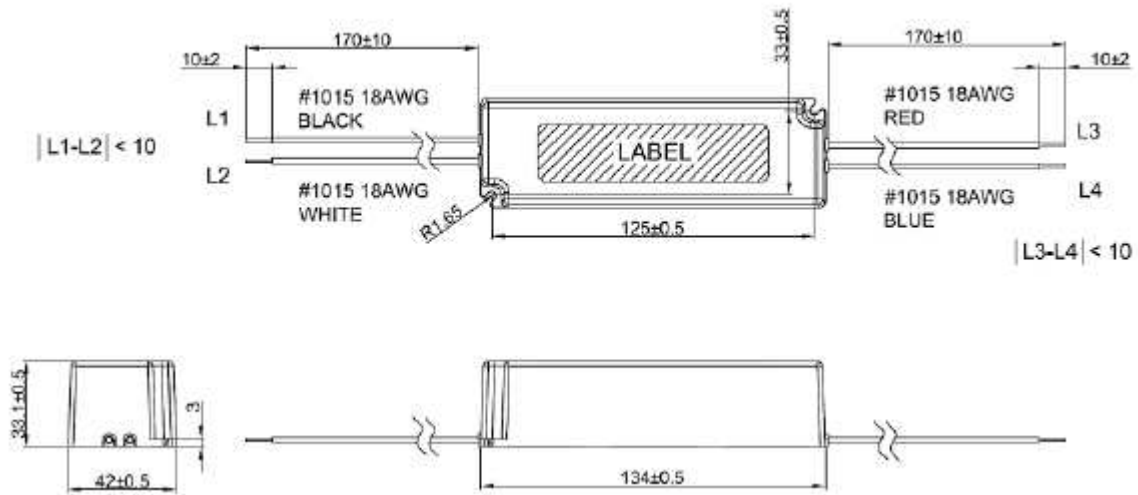
LCCE-030■112

Model No.	DC Output Voltage	DC Output Current	Watt Max.	Remark
LCCE-030■112	22 - 28 V	1.05 A ± 5%	29.4 W	

*Reference

Model NO.	LCCE-030■112	Model Name	LED POWER SUPPLY
Part NO.		SIZE	134mm*42mm*33.1mm

DIMENSIONS [mm]



Unit: mm

*Reference