

Model NO.	LCCE-060■132	Model Name	Constant Current Power Supply
Part NO.		SIZE	131mm*58mm*39.4mm



### FEATURES

- ◆ Suitable for Hi-Power LED Lighting Applications.
- ◆ Universal AC Input /Full range
- ◆ DC Output with Constant Current
- ◆ Safety : PSE
- ◆ Compliant with IP67 ( Waterproof )
- ◆ MTBF: 100,000 hrs / 25°C
- ◆ High Reliability
- ◆ Power Factor : >0.95@115VAC / >0.9@230VAC

### Electrical Specifications @25°C

Input	Voltage range	100 ~ 277VAC
	Frequency range	50 / 60Hz
	Efficiency (Typ.)	88 %
	AC current	100Vac < 0.8A ; 240Vac < 0.35A
	Inrush current	45A / 230VAC cold start
	Leakage current	0.7mA / 132Vac / 60Hz
Function	Protection	Overload / Short circuit / Over voltage / Over temp.
Environment	Operating ambient Temp.	-20°C ~ +60°C
	Operating relative Hum.	10% ~ +90%
	Storage ambient Temp.	-40°C ~ +80°C
	Storage relative Hum.	10% ~ +95%
Others	MTBF	100,000 hrs / 25°C
	Safety & EMC	PSE
	RoHS	YES
	Dimension (mm) L*W*H	131 * 58 * 39.4mm

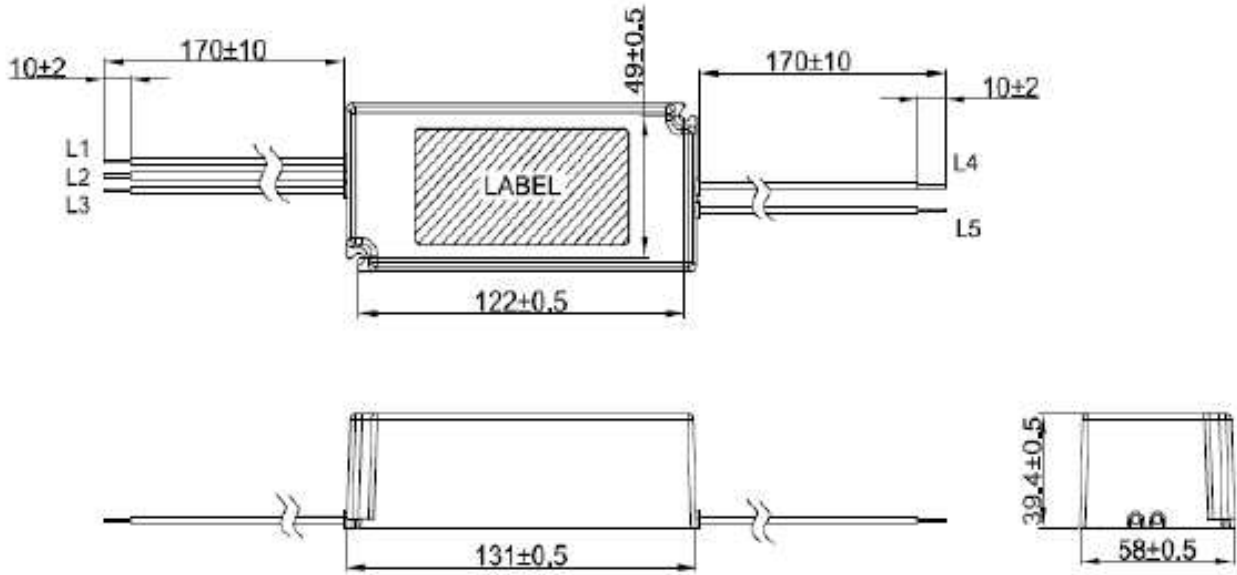
### LCCE-060■132

Model No.	DC Output Voltage	DC Output Current	Watt Max.	Remark
LCCE-060■132	36 - 48 V	1.3 A ± 5%	62.4 W	

\*Reference

Model NO.	LCCE-060■132	Model Name	Constant Current Power Supply
Part NO.		SIZE	131mm*58mm*39.4mm

**DIMENSIONS [mm]**



Unit: mm

\*Reference